



Ministry of Public Works

---

*Warwick Camp – WO's and SGT'S Mess Bath Rooms*

*Consolidated Product Data*

---

ALL PLUMBING FIXTURES AND BATHROOM ACCESSORIES ARE TO BE SUPPLIED AND INSTALLED BY THE  
GENERAL CONTRACTOR

---

*February 9, 2023*

---

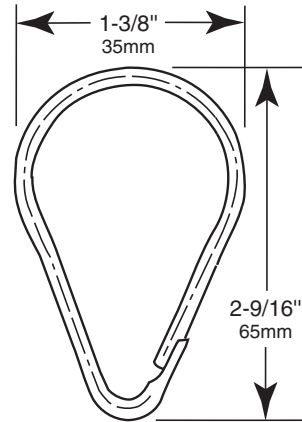
ROYAL BERMUDA REGIMENT WASHROOM RENOVATION PROJECT			
BATHROOM ACCESSORIES SCHEDULE – FEBRUARY 2023			
MANUFACTURER	PRODUCT ITEM	QUANTITIES	Comments
Bobrick	Stainless Steel Shower Curtain Hook		See attached Spec.
Bobrick	Heavy-Duty Shower Curtain Rod_B-6107	7	See attached Spec.
Bobrick	Mirror with Stainless Steel Channel Frame_B-165 2436	7	See attached Spec.
Bobrick	Floor-Standing Stainless Steel Waste Receptacles_B-2250	2	See attached Spec.
Bobrick	Surface-Mounted Soap Dish_B-680	7	See attached Spec.
Delta	Shower Faucet_1323	7	See attached Spec.
Kohler	Single-hole Bathroom Sink Faucet_K-16027-4	7	See attached Spec.
Kohler	Caxton Rectangle Undermount Bathroom Sink_K-20000	7	See attached Spec.
American Standard	CR Series-Robe Hook_8336.210.002_Chrome	7	See attached Spec.
American Standard	Champion Slow-Close Toilet Seats_5321.65CT Color White	5	See attached Spec.
American Standard	Champion Pro_Right Height_Elongated Toilet Color White	5	See attached Spec.
American Standard	CR Series-toilet Tissue Holder_8336.230.002	5	See attached Spec.
ASI Global Partitions	Floor Anchored/Overhead Braced - Solid Plastic (HDPE) with Accessories & Hardware		Toilet Stalls; See attached Spec.
<b>Note -</b>			
1.Prior to ordering the General Contractor shall confirm the quantities and dimensions on site			



**Technical Data**

# STAINLESS STEEL SHOWER CURTAIN HOOK

# 204-1



## MATERIALS:

18-8, Type-304, 0.09" (2.28mm) diameter stainless steel.

## OPERATION:

Shower curtain hooks can be used with 1" and 1-1/4" (25 and 32mm) diameter shower curtain rods.

*Designer's Note:* 72" (1830mm) high shower curtains of opaque white vinyl are available from Bobrick as an optional accessory. Order Part No. 204-2 for 42" (1065mm) wide curtains (requires 7 hooks) or Part No. 204-3 for 70" (1780mm) wide curtains (requires 12 hooks).

## INSTALLATION:

Hooks snap open to allow placement on 1" (25mm) or 1-1/4" (32mm) diameter shower curtain rods. Recommended for use with Bobrick Models B-207, B-4207, B-6047, and B-6107 stainless steel shower curtain rods.

## SPECIFICATION:

Shower curtain hooks shall be 0.09" (2mm) diameter, type-304 stainless steel. Hooks shall be usable with 1" and 1-1/4" (25 and 32mm) diameter shower curtain rods.

**Stainless Steel Shower Curtain Hooks shall be Part No. 204-1 of Bobrick Washroom Equipment, Inc., Clifton Park, New York; Jackson, Tennessee; Los Angeles, California; Bobrick Washroom Equipment Company, Scarborough, Ontario; Bobrick Washroom Equipment Pty. Ltd., Australia; and Bobrick Washroom Equipment Limited, United Kingdom.**

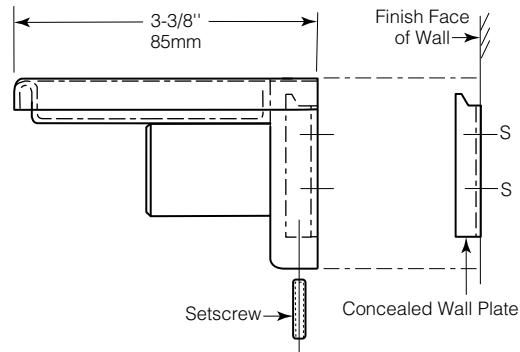
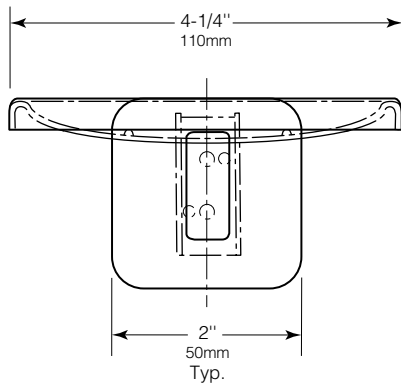


Technical Data

# SURFACE-MOUNTED SOAP DISH

## B-680 B-6807

Specify Model Required:  Model B-680 Bright polished stainless steel  
 Model B-6807 Satin-finish stainless steel



### MATERIALS:

**Flange and Support Arm** — 18-8, type-304, 22-gauge (0.8mm) stainless steel. Concealed, 16-gauge (1.6mm) stainless steel mounting bracket. All-welded construction. Secured to wall plate with a stainless steel setscrew.

**Concealed Wall Plate** — 18-8, type-304, 16-gauge (1.6mm) stainless steel.

**Soap Dish** — 18-8, type-304, 22-gauge (0.8mm) stainless steel. Drawn, one-piece, seamless construction. Welded to the support arm. Two drain holes and two ridges to support bar of soap.

### INSTALLATION:

To remove concealed wall plate from back of flange and mounting bracket, loosen setscrew. Mount wall plate so prongs are at top; secure with two sheet-metal screws, furnished by manufacturer, at points indicated by an S. Engage flange onto prongs of wall plate, then secure into position by tightening setscrew at bottom.

For plaster or dry wall construction, provide concealed backing to comply with local building codes, then secure unit with sheet-metal screws furnished. For other wall surfaces, provide fiber plugs or expansion shields for use with sheet-metal screws furnished, or provide 1/8" (3mm) toggle bolts or expansion bolts.

### SPECIFICATION:

Surface-mounted soap dish shall be type-304 stainless steel with \_\_\_\_\_ (insert one: bright polished or satin) finish. Flange and support arm shall be 22 gauge (0.8mm) and equipped with a concealed, 16-gauge (1.6mm) mounting bracket that is secured to a concealed, 16-gauge (1.6mm) wall plate with a stainless steel setscrew. Drawn, one-piece, seamless, 22-gauge (0.8mm) soap dish shall be welded to the support arm and shall have two drain holes and two soap-support ridges.

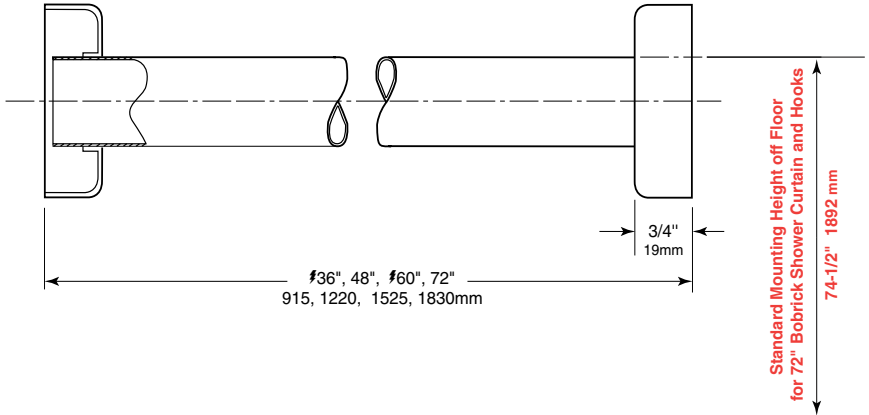
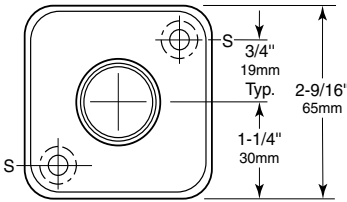
**Surface-Mounted Soap Dish shall be Model \_\_\_\_\_ (insert model number) of Bobrick Washroom Equipment, Inc., Clifton Park, New York; Jackson, Tennessee; Los Angeles, California; Bobrick Washroom Equipment Company, Scarborough, Ontario; Bobrick Washroom Equipment Pty. Ltd., Australia; and Bobrick Washroom Equipment Limited, United Kingdom.**



Technical Data

# ClassicSeries® HEAVY-DUTY SHOWER CURTAIN ROD

# B-6107



### MATERIALS:

**Curtain Rod** — 18-8, Type-304, 20-gauge (1.0mm) stainless steel tubing with satin finish. 1" (25mm) outside diameter. Available in lengths 36" (915mm) up to 72" (1830mm).

**Flanges** — 18-8, Type-304, 20-gauge (1.0mm) stainless steel with satin finish. Drawn, one-piece, seamless construction.

### INSTALLATION:

Slide flanges onto curtain rod. Position flanges against wall and secure with sheet-metal screws, furnished by manufacturer, at points indicated by an S. For plaster or dry wall construction, provide concealed backing to comply with local building codes and secure flanges with screws furnished. For other wall surfaces, provide fiber plugs or expansion shields for use with screws furnished or provide 1/8" (3mm) toggle bolts or expansion bolts.

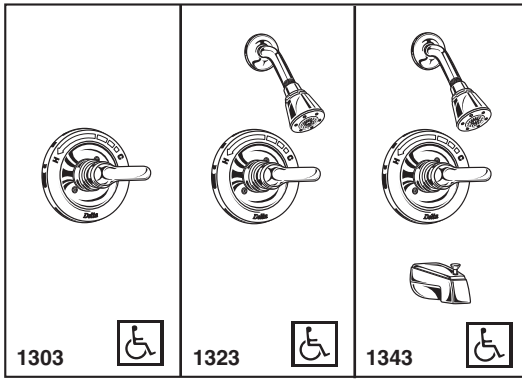
### SPECIFICATION:

Shower curtain rod shall be Type-304, 20-gauge (1.0mm) stainless steel tubing with satin finish and 1" (25mm) outside diameter. Flanges shall be Type-304, 20-gauge (1.0mm) stainless steel with satin finish and drawn, one-piece, seamless onstruction.

**Shower Curtain Rod shall be Model B-6107 x \_\_\_\_\_ (insert length) of Bobrick Washroom Equipment, Inc., Clifton Park, New York; Jackson, Tennessee; Los Angeles, California; Bobrick Washroom Equipment Company, Scarborough, Ontario; Bobrick Washroom Equipment Pty. Ltd., Australia; and Bobrick Washroom Equipment, Limited, United Kingdom.**

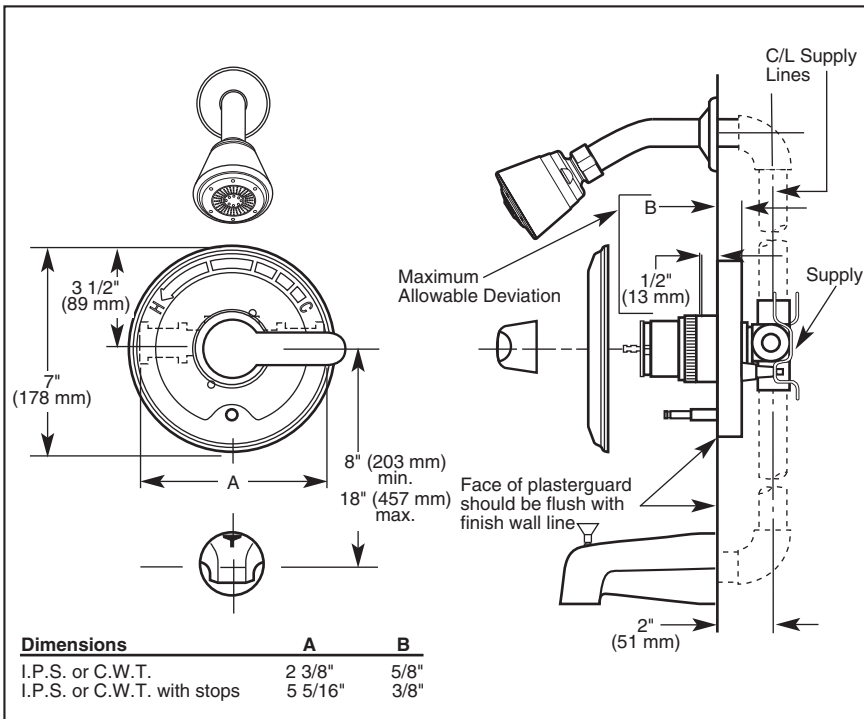
# DELTA BATH MIXING VALVES

- Valve Only (1303 Series)
- Shower Only (1323 Series)
- Tub/Shower (1343 Series)
- Single Handle
- Pressure Balance
- Temperature Only Controlled with Handle



Submitted Model No.: \_\_\_\_\_

Specific Features: \_\_\_\_\_



## STANDARD SPECIFICATIONS:

- Pressure balanced single handle bath mixing valve.
- Requires 1 1/2" (38 mm) wall cavity.
- Back-to-back installation capability.
- Solid brass fabricated body.
- Lever handle.
- Maintains a balanced pressure of hot and cold water even when a valve is turned on or off elsewhere in the system.
- Temperature only controlled with handle.
- Field adjustable to limit handle rotation into hot water zone.
- 120° maximum handle rotation.
- All parts shall be replaceable from the front of the valve.

## WARRANTY

- Lifetime limited warranty on parts (other than electronic parts and batteries) and finishes; or, for commercial users, for 5 years from date of purchase.
  - 5 year limited warranty on electronic parts (other than batteries); or, for commercial users, for 1 year from the date of purchase.
- No warranty is provided on batteries.

## COMPLIES WITH:

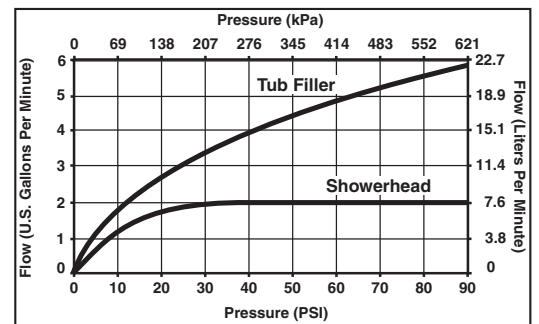
- ASME A112.18.1 / CSA B125.1
- ASSE 1016
- Indicates compliance to ICC/ANSI A117.1

<b>RP5834</b> <b>RP7533</b> 	<b>RP28599</b> Push-Clean™ Showerhead 	<b>RP28600</b> Touch-Clean® Showerhead 
<b>RP19820</b> 	<b>RP28601</b> Dual Spray Touch-Clean® Showerhead 	<b>RP28602</b> Ultimate Touch-Clean® Showerhead 

Full Spray

Massage Spray

Soft Aerated Spray



55 E. 111th Street, Indianapolis, Indiana 46280  
 350 South Edgeware Road, St. Thomas, ON N5P 4L1  
 © 2015 Masco Corporation of Indiana

Delta reserves the right (1) to make changes in specifications and materials, and (2) to change or discontinue models, both without notice or obligation. Dimensions are for reference only. See current full-line price book or [www.deltafaucet.com](http://www.deltafaucet.com) for finish options and product availability.

### Features

- 1.2 gpm (4.5 l/min) maximum flow rate.
- 4-3/8" (111 mm) spout reach.
- Single lever handle allows for both volume and temperature control.
- Red/blue indexing on handle.
- Temperature memory allows faucet to be turned on and off at the temperature set during prior usage.
- Includes metal pop-up drain with 1-1/4" tailpiece.
- Coordinates with other products in the July collection.

### Material

- Premium metal construction for durability and reliability.
- KOHLER finishes resist corrosion and tarnishing.

### Technology

- KOHLER ceramic disc valves exceed industry longevity standards for a lifetime of durable performance.

### Installation

- Bath- or deck-mount.
- Flexible supplies for simplified installation.
- For single-hole installation.
- Preattached flexible supply lines simplify installation.

### Recommended Products/Accessories

- K-23726 Drain treatment
- K-23723 Faucet cleaner



### Codes/Standards



ASME A112.18.1/CSA B125.1  
NSF/ANSI 61  
NSF/ANSI 372  
All applicable US Federal and State material regulations  
DOE - Energy Policy Act 1992  
EPA WaterSense®  
California Energy Commission (CEC)  
ADA  
ICC/ANSI A117.1  
CSA B651  
OBC

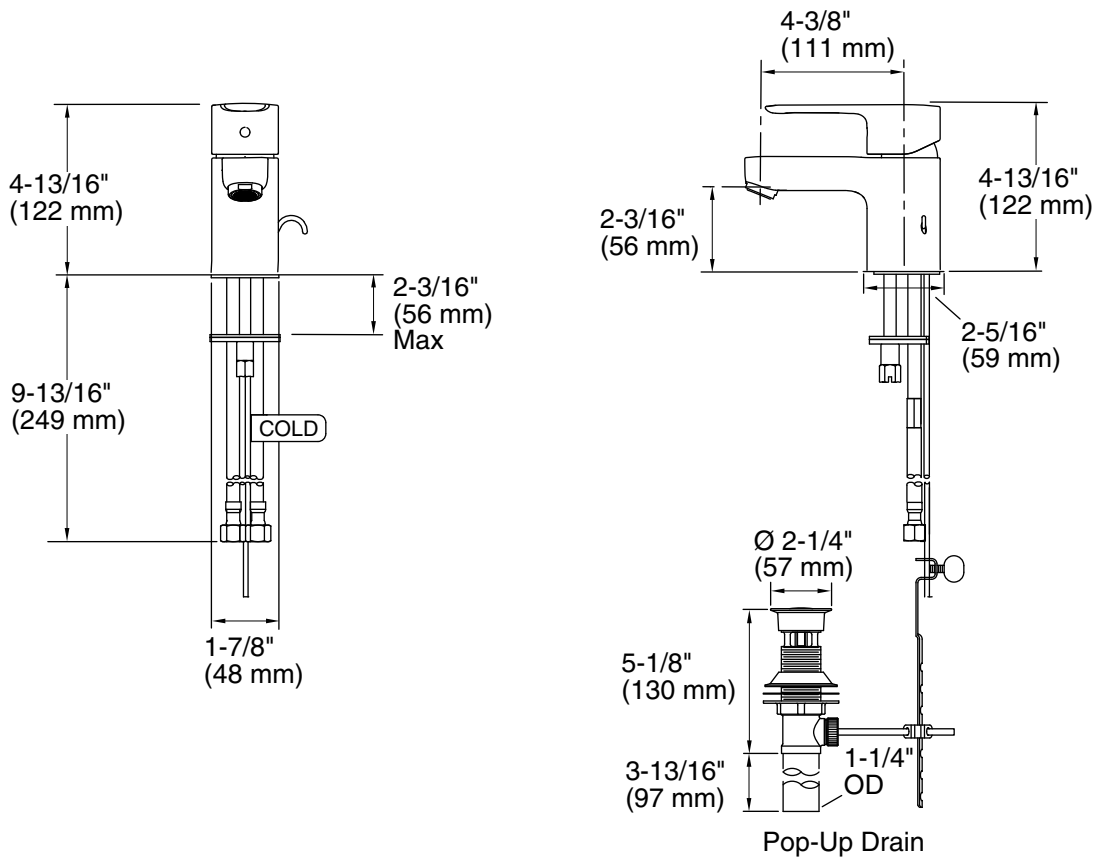
### KOHLER® Faucet Lifetime Limited Warranty

See website for detailed warranty information.

### Available Colors/Finishes

*Color tiles intended for reference only.*

Color	Code	Description
	CP	Polished Chrome
	G	Brushed Chrome



### Technical Information

All product dimensions are nominal.

#### Faucet:

Flow rate: 1.2 gal/min (4.5 l/min)

Pressure: 60 psi (4.1 bar)

Drain included: Yes

#### Spout:

Spout reach: 4-3/8" (111 mm)

### Notes

Install this product according to the installation guide.

ADA compliant for handles only.

ADA, OBC, CSA B651 compliant when installed to the specific requirements of these regulations.





# Caxton® Rectangle

Undermount bathroom sink  
**K-20000**

## Features

- Rectangular basin.
- Overflow drain.
- No faucet holes; requires wall- or counter-mount faucet.

## Material

- Vitreous china.

## Installation

- Undermount.

## Recommended Products/Accessories

- K-23726 Drain treatment
- K-23725 Cast iron cleaner

## Included Components

- Additional Components:  
1193643



ADA

CSA B651

## Codes/Standards








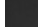
ASME A112.19.2/CSA B45.1  
ADA  
ICC/ANSI A117.1  
CSA B651

## KOHLER® One-Year Limited Warranty

See website for detailed warranty information.

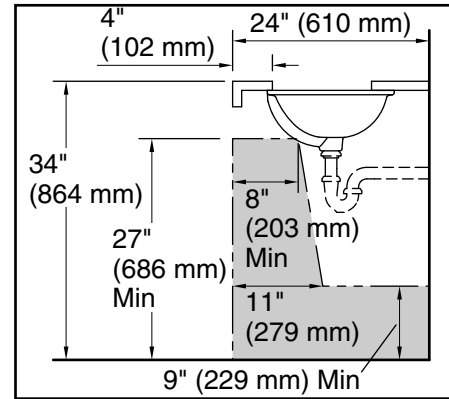
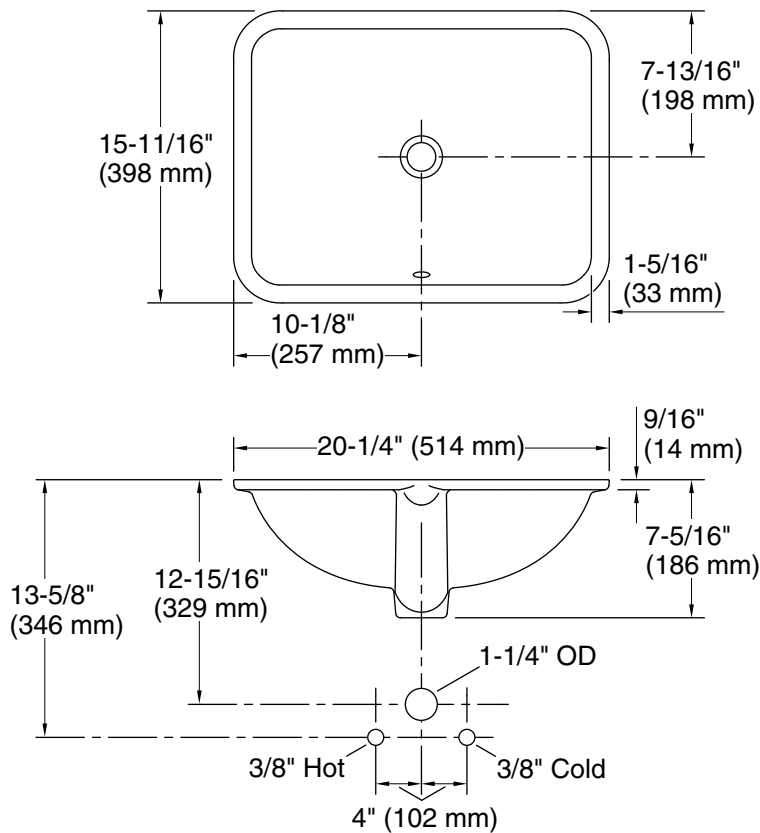
## Available Colors/Finishes

*Color tiles intended for reference only.*

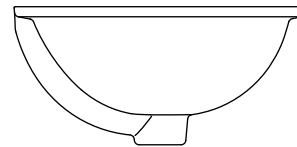
Color	Code	Description
	0	White
	96	Biscuit
	47	Almond
	NY	Dune
	95	Ice™ Grey
	K4	Cashmere
	58	Thunder™ Grey
	7	Black Black™



**Caxton® Rectangle**  
Undermount bathroom sink  
**K-20000**



**Recommended ADA Installation**



**Technical Information**

All product dimensions are nominal.

Installation:	Undermount
Bowl area:	Length: 17-5/8" (448 mm) Width: 13-1/8" (334 mm) Bowl depth: 5-5/16" (135 mm) Water depth: 3-5/8" (93 mm)
Drain hole:	1-3/4" (44 mm)
Template:	Under-mount, 1281904-7, required, not included

**Notes**

Install this product according to the installation instructions.

Countertop manufacturer or cutter must use the cut-out template provided with the product, or a current one provided by Kohler Co. (call 1-800-43-FOCUS). Kohler Co. is not responsible for cut-out errors when the incorrect cut-out template is used.

ADA, CSA B651 compliant when installed to the specific requirements of these regulations.



**Technical Data**

**MIRROR WITH STAINLESS STEEL CHANNEL FRAME**

**B-165 SERIES**

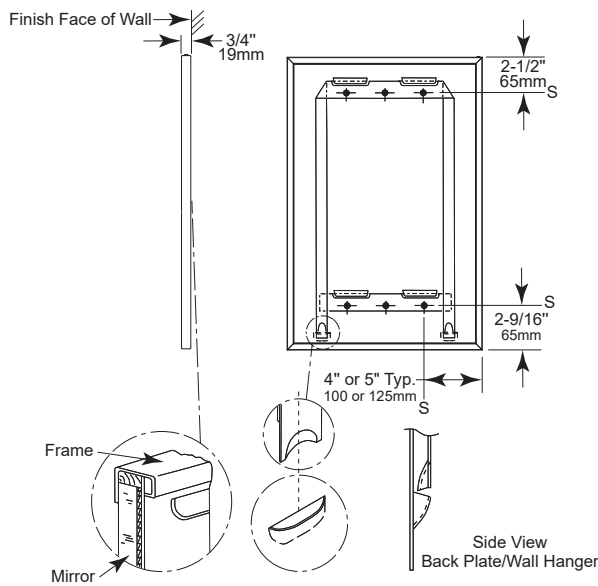


**Designer's Notes:**

1. Special-order sizes available on request.
2. Maximum size mirror available, 96" x 72" (244 x 183cm); minimum size, 12" x 12" (30 x 30cm).
3. All Bobrick framed mirrors are manufactured to overall width and height dimensions. EXAMPLE: A 24" x 36" (61 x 91cm) mirror will be furnished 24" x 36" (61 x 91cm) outside-of-frame to outside-of-frame.
4. To specify special sizes use Series Number followed by width x height in inches. EXAMPLE: B-165 2024 20" x 24" (51 x 61cm)
5. Bobrick framed mirrors are manufactured to a tolerance 1/8" (3.2mm).
6. For sufficient space to lift mirror onto wall hanger(s), provide 1" (25mm) minimum clearance above top of mirror frame.
7. Provide 1/2" (12.7mm) minimum clearance on each side.

**Snap Locking Design (Rear View)**

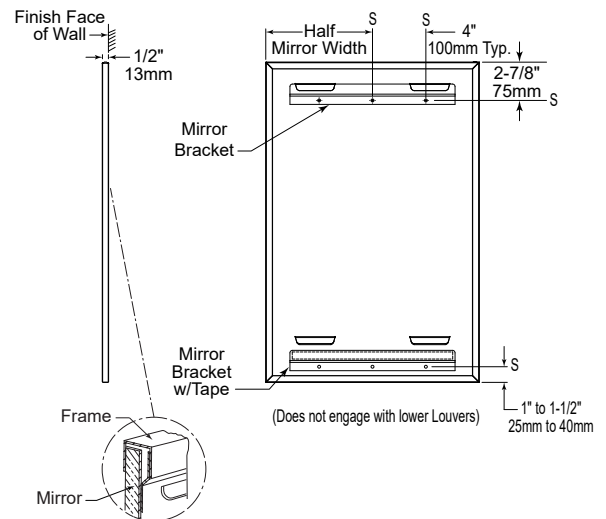
Figure: 1



**"2S" Tab Design (Rear View)**

- for all other mirrors up to a width of 36"

Figure: 2



**STANDARD B-165 SERIES MIRRORS**

MODEL NO.	OVERALL SIZE	
	W	H
B-165 1824	18" (46cm)	24" (61cm)
B-165 1830	18" (46cm)	30" (76cm)
B-165 1836	18" (46cm)	36" (91cm)
B-165 2430	24" (61cm)	30" (76cm)
B-165 2436	24" (61cm)	36" (91cm)
B-165 2448	24" (61cm)	48" (122cm)
B-165 2460	24" (61cm)	60" (152cm)

**Note:** Mirrors greater than 36" in width will have multiple hanger brackets with a typical 8" off each edge.

continued . . .

## MATERIALS:

**Frame** — Type-430 stainless steel, 1/2" x 1/2" x 3/8" (13 x 13 x 9.5mm) channel with 1/4" (6mm) return at rear for Snap Locking Design; 1/2" x 1/2" x 1/2" (13 x 13 x 13mm) channel for Lock Tab Design, with bright polished finish. One piece frame with 90 degree mitered corners. Galvanized steel back has integral horizontal hanging brackets near the top for hanging the mirror and near the bottom to prevent the bottom of the mirror from pulling away from the wall.

**Mirror** — No. 1 quality, 1/4" (6mm) select float glass: selected for silvering, electrolytically copper-plated by the galvanic process, and guaranteed for 15 years against silver spoilage. Back is protected by full-size, shock-absorbing, water-resistant, nonabrasive, polyethylene padding.

**Concealed Wall Hanger** — For snap locking design: Heavy gauge steel construction. Incorporates upper and lower members, which engage backplate louvers to keep mirror against the wall. For "2S"-Tab design: Incorporates upper bracket engaging in upper louver and double sided tape below the bottom louver securing mirror to concealed wall hanger.

## INSTALLATION:

Mount wall hanger on wall with screws (not furnished) at points indicated by an S. For plaster or dry wall construction, provide backing to comply with local building codes, then secure wall hanger with screws (not furnished). When providing a concealed backing, allow backing to cover minimum range of mounting hole locations shown on drawing. For other wall surfaces, provide fiber plugs or expansion shields for use with screws (not furnished), or provide 1/8" (3mm) toggle bolts or expansion bolts.

**Snap Locking Design:** Hang mirror on wall hanger with all four backplate louvers engaged behind horizontal wall hanger members. To do this, mirror must be centered in front of the wall hanger horizontally, pressed flat against the wall approximately 1" (25mm) above final position and then lowered into final position.

**"2S" Tab Design:** Comprises of two brackets, while the bottom one is furnished with double side tape. Bottom hanger bracket's mounting holes must be 1" - 1 1/2" above mirror's bottom edge. Note: Bottom hanger bracket is not supposed to engage with louvers of mirror's backplate. Hang mirror on wall top hanger bracket with the top two louvers engaged behind top wall hanger bracket. To do this, mirror must be centered in front of the wall hanger horizontally, pressed only at the top against the wall approx. 1" (25mm) above final position and then lowered into final position. When lowering, pull mirror's bottom edge off the wall by preventing bottom bracket from engaging. Once lowered, mirror must be pressed against wall to engage with double sided tape of lower wall hanger bracket.

**Snap Locking Design** — Locking devices automatically secure mirror to concealed wall hanger when it is lowered into final position (see figure 3). Locking devices may be unlocked by inserting two flat blade screwdrivers behind each side of mirror near the bottom or under the bottom of the mirror and pulling mirror bottom forward and then up.

**"2S" Tab Design** — Secure mirror to concealed wall hanger by pressing mirror against double sided tape of lower hanger once it is lowered into final position (see figure 4).

**Snap Locking Design  
(Front View)**

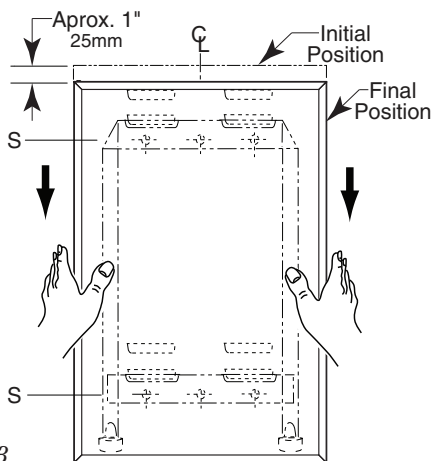


Figure: 3

**"2S"-Tab Design - up to 36" Width  
(Front View)**

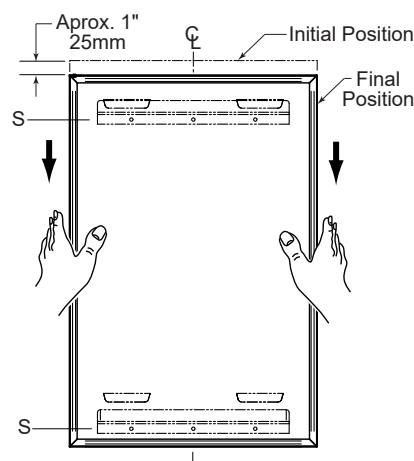
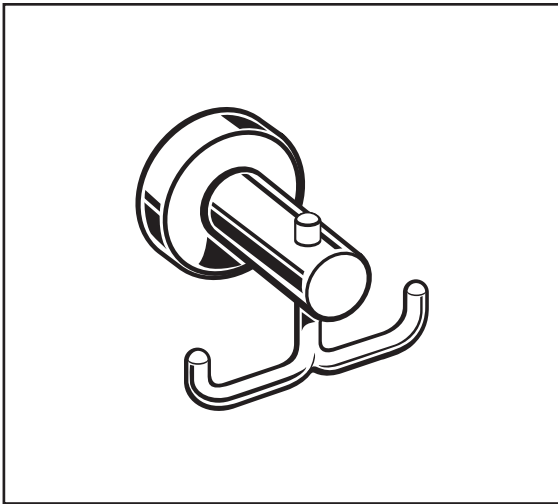


Figure: 4

## SPECIFICATION:

Mirror shall have a one-piece type-430 stainless steel channel frame, with 90° mitered corners; all exposed surfaces shall have bright polished finish. Select float glass mirror shall be guaranteed for 15 years against silver spoilage. The back shall be protected by full-size, shock-absorbing, water-resistant, nonabrasive, polyethylene padding. Galvanized steel back shall have integral horizontal hanging brackets located at top and bottom for mounting on concealed wall hanger to prevent the mirror from pulling away from the wall. Locking devices secure mirror to concealed wall hanger. Mirror shall be removable from the wall.

**Framed Mirror shall be Model B-165 \_\_\_\_\_ (insert width and height) of Bobrick Washroom Equipment, Inc., Clifton Park, New York; Jackson, Tennessee; Los Angeles, California; Bobrick Washroom Equipment Company, Scarborough, Ontario; Bobrick Washroom Equipment Pty. Ltd., Australia; and Bobrick Washroom Equipment Limited, United Kingdom.**

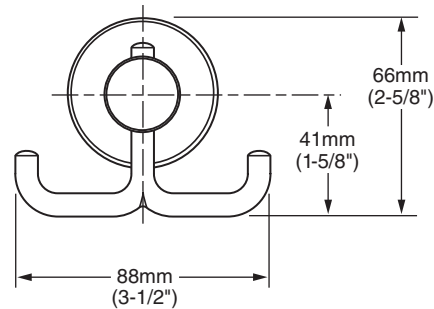
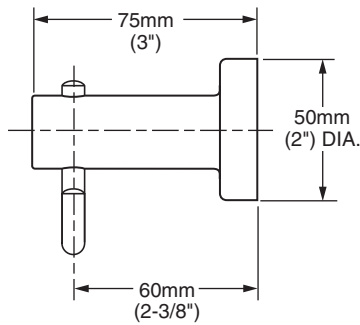


**MODEL NUMBER:**

■ 8336.210 Robe Hook

**Available Finishes**

.002	Polished Chrome
.295	Satin Nickel (PVD)



**PRODUCT FEATURES:**

**Materials of Construction:** Metal construction for durability & long life.

**Concealed Mounting:** No exposed set screws.

**Easy to Install**

**Durability of Finishes:** Chrome and PVD finishes will never tarnish.

**SUGGESTED SPECIFICATION:**

Robe Hook shall feature metal construction with tarnish - free PVD finish. Shall feature concealed mounting with no exposed set screws. Robe Hook shall be American Standard Model # 8336.210.\_\_\_\_.

*American Standard*

Style That Works Better

---

CHAMPION® SLOW-CLOSE TOILET SEATS

- 5321A.65CT Elongated
- 5320B.65CT Round Front

- Slow-close "No Slam" hinge for user's convenience
- Unique Easy Lift off feature allows for quick removal and replacement of seat and cover for easy cleaning of toilet without any tools
- EverClean® Antimicrobial Surface
- Solid plastic seat with cover
- Fits most conventional elongated or round front toilets
- Attractive design coordinates with popular bathroom decor
- Includes bottom-mounting hardware



SHOWN: CONVENIENT  
SLOW CLOSE FEATURE

To Be Specified:

- Color:  020 White  021 Bone  222 Linen

SHOWN: UNIQUE EASY LIFT OFF FEATURE



1. Installed

2. Open the hinge cover

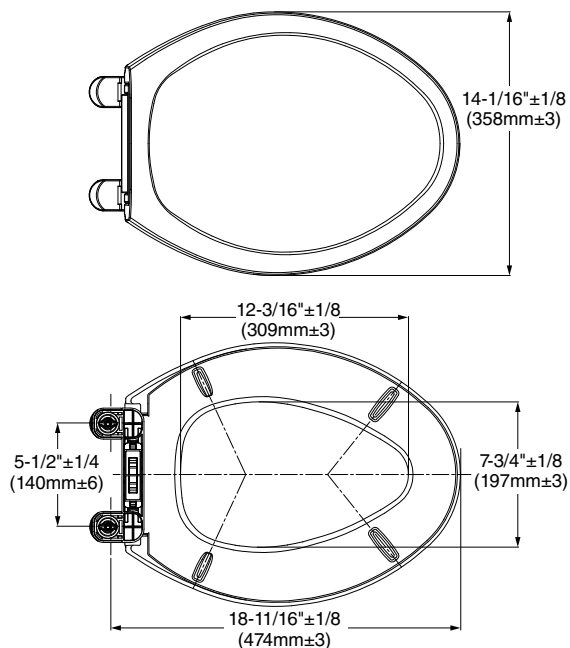
3. Pull the seat towards you

4. Remove

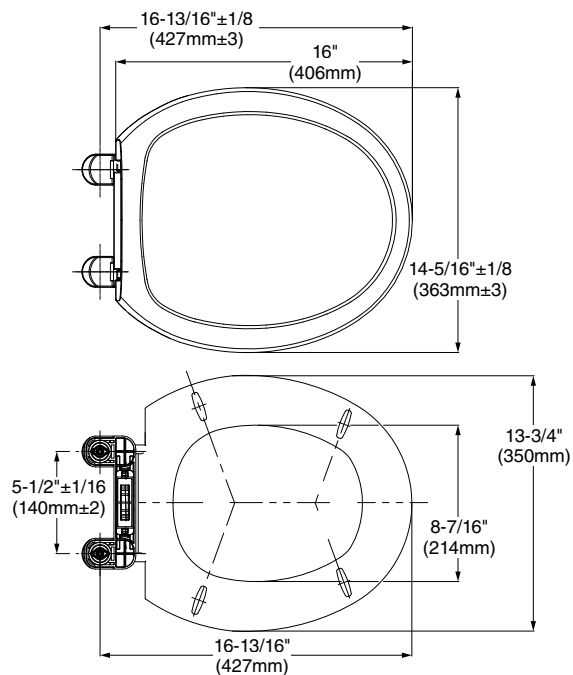


EVERCLEAN®

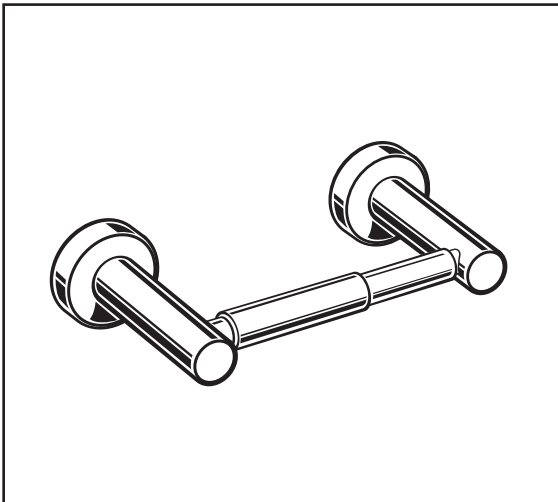
**5321A.65CT Champion Slow Close  
Elongated Toilet Seat**



**5320B.65CT Champion Slow Close  
Round Front Toilet Seat**





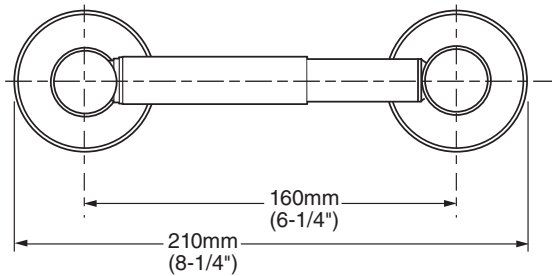
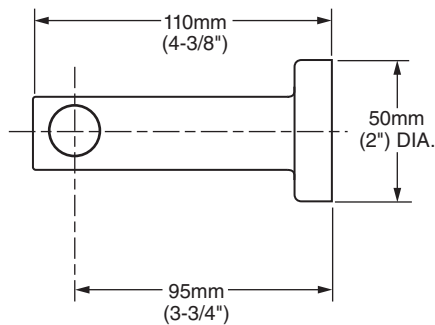


**MODEL NUMBER:**

8336.230 - Toilet Tissue Holder

**Available Finishes**

.002	Polished Chrome
.295	Satin Nickel (PVD)



**PRODUCT FEATURES:**

**Materials of Construction:** Metal construction for durability & long life.

**Concealed Mounting:** No exposed set screws.

**Easy to Install**

**Durability of Finishes:** Chrome and PVD finishes will never tarnish.

**SUGGESTED SPECIFICATION:**

Toilet Tissue Holder shall feature metal construction with tarnish - free PVD finish. Shall feature concealed mounting with no exposed set screws. Toilet Tissue Holder tube shall be Brass tube. Toilet Tissue Holder shall be American Standard Model # 8336.230.\_\_\_\_.

*American Standard*

Style That Works Better

---

**CHAMPION® PRO™**  
**RIGHT HEIGHT® ELONGATED TOILET**

- 211AA.104**
  - Features **Champion® Flushing System**
  - Vitreous china
  - High Efficiency Toilet (HET), ultra-low consumption (1.28 gpf/4.8 Lpf), utilizes 20% less water
  - Meets EPA WaterSense® Criteria
  - Trade exclusive tank
  - PowerWash® rim scrubs bowl with each flush
  - Robust metal trip lever & metal shank fill valve
  - Includes EZ-Install tools w/color match bowl caps
  - EverClean® Surface included
  - 4" piston-action Accelerator™ flush valve
  - Fully-glazed 2-3/8" trapway
  - 16-1/2" rim height for accessible applications
  - 12" (305mm) rough-in
  - Generous 9" x 8" water surface area
  - Chrome finish trip lever is supplied
  - 1,000g MaP Score\*\* at 1.28gpf
  - 10 year warranty



- 211AA.105** Same as above except trip lever on right hand side
- 3195A.101** Right Height® Elongated Bowl
- 4225A.104** Tank

**Nominal Dimensions:**

768 x 483 x 785mm (30-1/4" x 19" x 30-7/8")

Fixture only, seat and supply sold separately

**Alternative Tank Configurations Available:**

- 4225A.154** Tank complete with Aquaguard Liner
- 4225A.164** Tank complete with tank cover locking device
- 4225A.174** Tank complete with Aquaguard Liner and tank cover locking device
- 4225A.105** Tank complete with trip lever located on right side

**Compliance Certifications -**

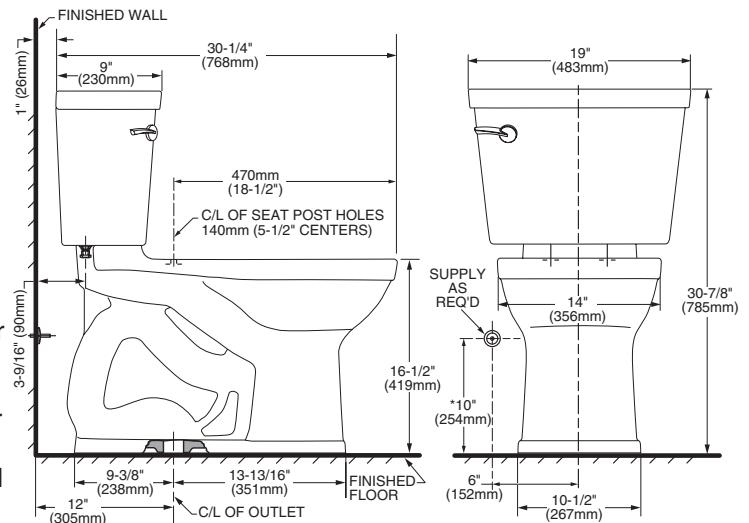
**Meets or Exceeds the Following Specifications:**

- ASME A112.19.2-2008/CSA B45.1-08 for Vitreous China Fixtures
- US EPA WaterSense® Specification for HETs

\*\* Maximum Performance (MaP) testing performed by IAPMO R&T Lab. MaP Report conducted by Veritec Consulting, Inc. and Koeller and Company.

**To Be Specified:**

- Color:  White  Bone  Linen  Black
- Seat: #5325.010 Elongated Champion® Slow Close solid plastic seat and cover
- Supply with stop:



**NOTES:**

THIS TOILET IS DESIGNED TO ROUGH-IN AT A MINIMUM DIMENSION OF 305MM (12") FROM FINISHED WALL TO C/L OF OUTLET. SUPPLY NOT INCLUDED WITH FIXTURE AND MUST BE ORDERED SEPARATELY. \* DIMENSION SHOWN FOR LOCATION OF SUPPLY IS SUGGESTED.

**IMPORTANT:** Dimensions of fixtures are nominal and may vary within the range of tolerances established by ANSI Standard A112.19.2. These measurements are subject to change or cancellation. No responsibility is assumed for use of superseded or voided pages.

MEETS THE AMERICANS WITH DISABILITIES ACT GUIDELINES AND ANSI A117.1 REQUIREMENTS FOR ACCESSIBLE AND USABLE BUILDING FACILITIES-CHECK LOCAL CODES.

Champion® **PRO**

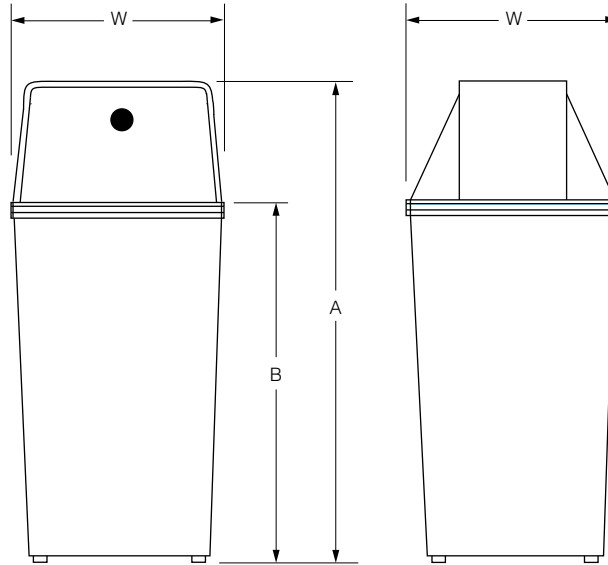




**Technical Data**

**FLOOR-STANDING  
STAINLESS STEEL  
WASTE RECEPTACLES**

**B-2250**



Model Number	Capacity	A	B	W	Optional Accessory Vinyl Liner Part No.
B-2250	13-gal. (49.2-L)	29-1/2" (750mm)	21-3/4" (553mm)	13-3/8" x 13-3/8" (340 x 340mm)	2250-3
B-2260	13-gal. (49.2-L)	Open-Top, No Cover	21-3/4" (553mm)	13-3/8" x 13-3/8" (340 x 340mm)	2250-3
B-2280	21-gal. (79.5-L)	Open-Top, No Cover	29-1/4" (756mm)	14-7/8" x 14-7/8" (378 x 378mm)	N/A

**MATERIALS:**

**Waste Receptacle** — 22-gauge (0.8mm) stainless steel with satin finish. Equipped with vinyl bumper strip and rubber feet. Hooks are provided to attach optional, removable liner (not provided) to upper interior corners.

**Cover** — 22-gauge (0.8mm) stainless steel with satin finish. Two spring-loaded, self-closing doors, which have an international graphic symbol to identify waste disposal, are secured with full-length, stainless steel piano-hinges.

**OPERATION:**

Entire cover is removable for easy servicing of receptacle. Vinyl bumper strip and rubber feet on waste receptacle protect wall and floor surfaces.

*Designer's Note:* Vinyl liners for waste receptacle are available from Bobrick as an accessory. Check the chart above for correct liner part number to order.

**SPECIFICATION:**

Waste receptacle shall be 22-gauge (0.8mm) stainless steel. Exposed surfaces shall have satin finish. Waste receptacle shall be equipped with vinyl bumper strip and rubber feet. Capacity shall be \_\_\_\_\_ (insert capacity).

Waste Receptacle shall be Model \_\_\_\_\_ (insert model number) of Bobrick Washroom Equipment, Inc. Clifton Park, New York; Jackson, Tennessee; Los Angeles, California; Bobrick Washroom Equipment Company, Scarborough, Ontario; Bobrick Washroom Equipment Pty. Ltd., Australia; and Bobrick Washroom Equipment Limited, United Kingdom.