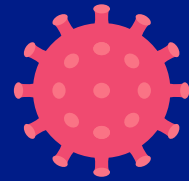


COVID-19 (Coronavirus)



Use of Cloth Face Coverings to Help Slow the Spread of COVID-19

How to Wear Cloth Face Coverings

Cloth face coverings should—

- fit snugly but comfortably against the side of the face
- be secured with ties or ear loops
- include multiple layers of fabric
- allow for breathing without restriction
- be able to be laundered and machine dried without damage or change to shape

Homemade Cloth Face Coverings

The Ministry of Health recommends wearing cloth face coverings in public settings where other social distancing measures are difficult to maintain (e.g. grocery stores and pharmacies), especially in areas of significant community-based transmission.

The Ministry of Health also advises the use of simple cloth face coverings to slow the spread of the virus and prevent people who may have the virus and do not know it from transmitting it to others. Cloth face coverings fashioned from household items or made at home from common materials at low cost can be used as an additional, voluntary public health measure.

Cloth face coverings should not be placed on young children under age two or anyone who has trouble breathing, or is unconscious, incapacitated or otherwise unable to remove the cloth face covering without assistance.

The cloth face coverings recommended are not surgical masks or N-95 respirators. Those are critical supplies that must continue to be reserved for healthcare workers and other medical first responders, as recommended by current CDC guidance.

Should cloth face coverings be washed or otherwise cleaned regularly? How regularly?

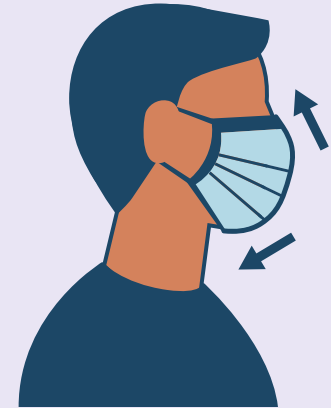
Yes. They should be routinely washed depending on the frequency of use.

How does one safely sterilize/clean a cloth face covering?

A washing machine should suffice in properly washing a cloth face covering.

How does one safely remove a used cloth face covering?

Individuals should be careful not to touch their eyes, nose, and mouth when removing their cloth face covering and wash hands immediately after removing.

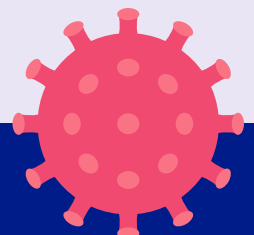


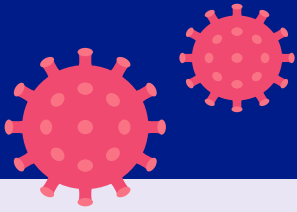
Based on Centers for Disease Control and Prevention Guidelines

Stay informed on the latest developments about COVID-19 by visiting the Government of Bermuda's website [Coronavirus.gov.bm](https://www.gov.bm/coronavirus)



GOVERNMENT OF BERMUDA
Ministry of Health





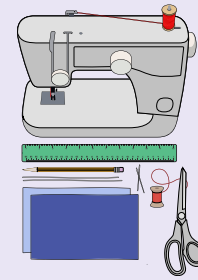
COVID-19 (Coronavirus)



Sewn Cloth Face Covering

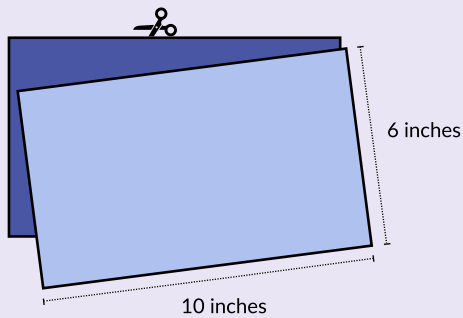
Materials

- Two 10"x6" rectangles of cotton fabric
- Two 6" pieces of elastic (or rubber bands, string, cloth strips, or hair ties)
- Needle and thread (or bobby pin)
- Scissors
- Sewing machine

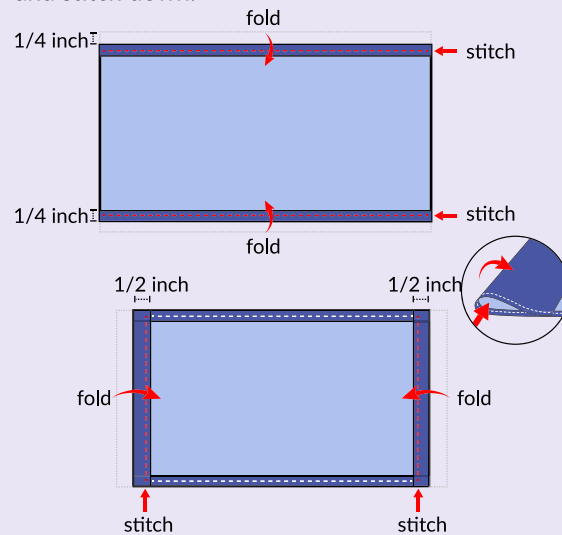


Tutorial

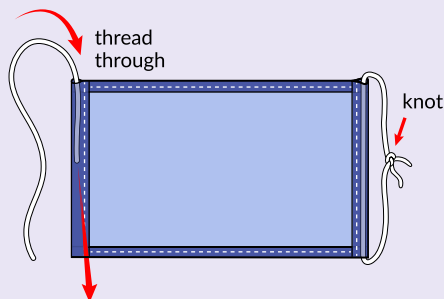
1. Cut out two 10-by-6-inch rectangles of cotton fabric. Use tightly woven cotton, such as quilting fabric or cotton sheets. T-shirt fabric will work in a pinch. Stack the two rectangles; you will sew the cloth face covering as if it was a single piece of fabric.



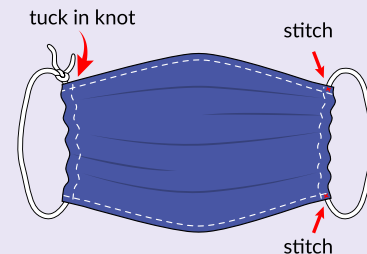
2. Fold over the long sides 1/4 inch and hem. Then fold the double layer of fabric over 1/2 inch along the short sides and stitch down.



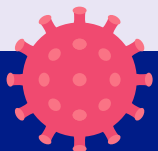
3. Run a 6-inch length of 1/8-inch wide elastic through the wider hem on each side of the cloth face covering. These will be the ear loops. Use a large needle or a bobby pin to thread it through. Tie the ends tight. Don't have elastic? Use hair ties or elastic head bands. If you only have string, you can make the ties longer and tie the cloth face covering behind your head.



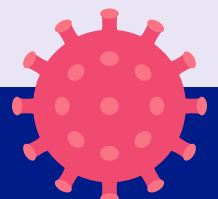
4. Gently pull on the elastic so that the knots are tucked inside the hem. Gather the sides of the cloth face covering on the elastic and adjust so the cloth face covering fits your face. Then securely stitch the elastic in place to keep it from slipping.

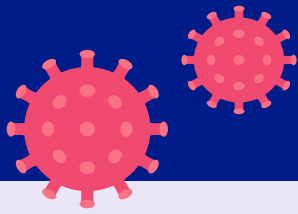


Based on Centers for Disease Control and Prevention Guidelines

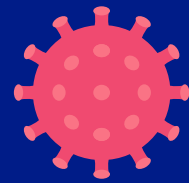


GOVERNMENT OF BERMUDA
Ministry of Health





COVID-19 (Coronavirus)

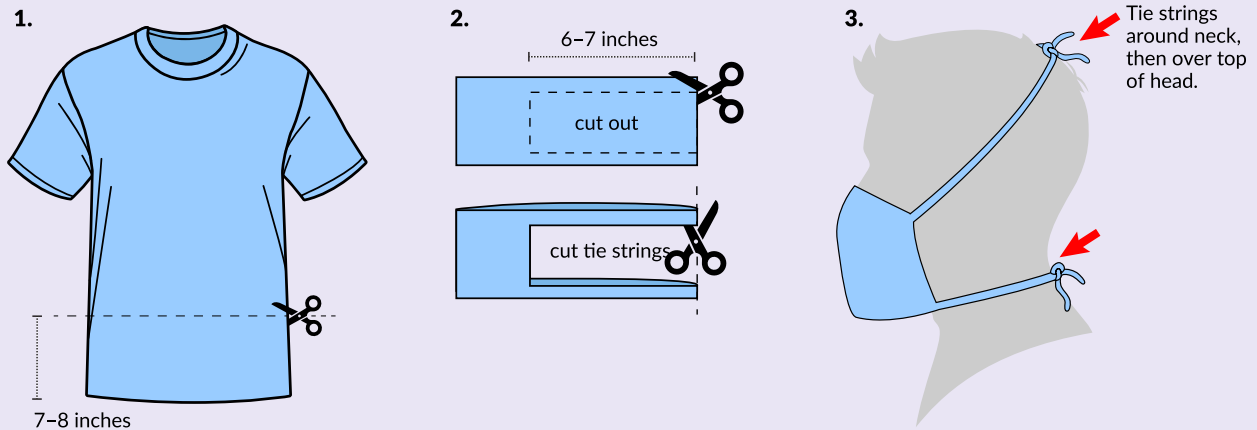


Quick Cut T-shirt Cloth Face Covering (no-sew method)

Materials

- T-shirt
- Scissors

Tutorial

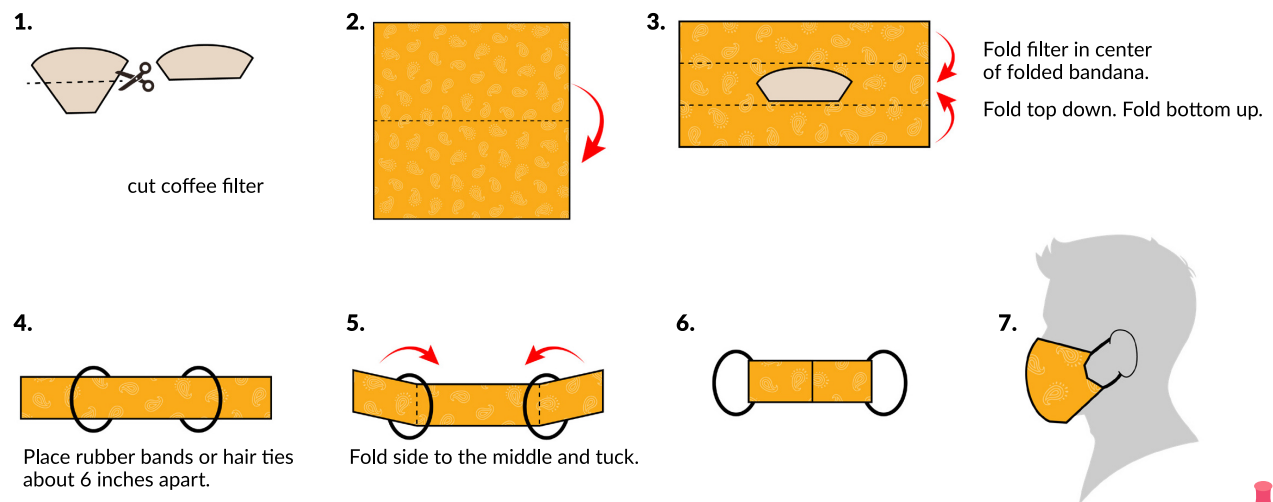


Bandana Cloth Face Covering (no-sew method)

Materials

- Bandana (or square cotton cloth approximately 20"x20")
- Rubber bands (or hair ties)
- Coffee filter
- Scissors (if you are cutting your own cloth)

Tutorial



Based on Centers for Disease Control and Prevention Guidelines

