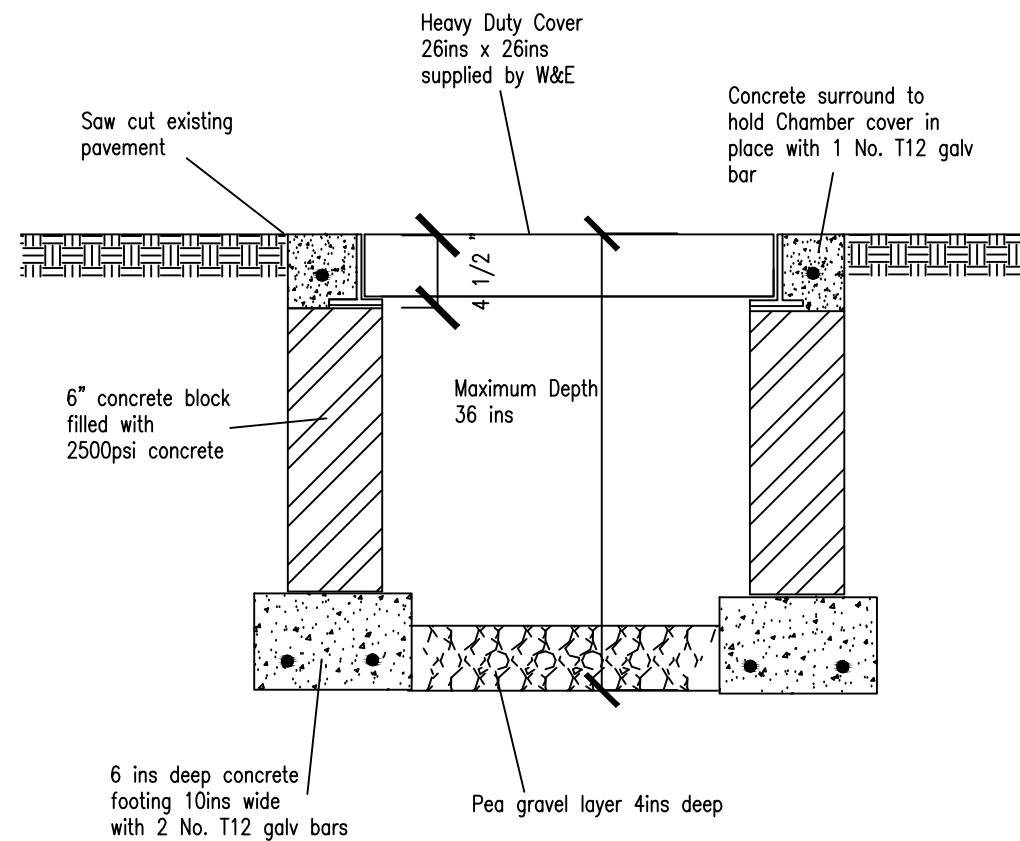


TYPE I Meter Chamber outside Roadway
SCALE: 1"=6"



TYPE II Meter Chamber in Roadway
Scale: 1"=6"

ISSUED FOR: TENDER JAN-2019

AMENDMENTS:

| NO | REVISION | BY | APP | DATE |
|----|----------|----|-----|------|
| | | | | |
| | | | | |
| | | | | |
| | | | | |
| | | | | |
| | | | | |
| | | | | |
| | | | | |
| | | | | |
| | | | | |

Scale As Shown

SURVEY
PREPARED BY: DATE:

DESIGN
PREPARED BY: DATE:
KC 1/01/2019

CHECKED BY: DATE:

DRAWING
PREPARED BY: DATE:
KC 1/01/2019

CHECKED BY: DATE:

APPROVED BY: DATE:
KC 1/01/2019

PROJECT NUMBER:

PROJECT NAME:

**WATER DISTRIBUTION
METER CHAMBERS**

SHEET TITLE:
STANDARD-DETAILS

SHEET NUMBER:
STD01

REVISION
ACAD 2010